



服务
Service



提升
Promote



合作
Cooperation



发展
Development

AREKE

艾锐克起重

AREKE CRANES

- 欧式电动单梁起重机
Single Girder Crane
- 欧式电动单梁悬挂起重机
Under Running Crane
- 欧式电动葫芦桥式起重机
Double Girder Crane
- 欧式电动葫芦半门式起重机
Semi Gantry Crane
- 欧式悬臂起重机
Jib Crane
- 欧式开放小车
Open Winch



艾锐克智能装备（江苏）有限公司

地址：江苏省句容市经济开发区科技大道1号

网址：www.arekelift.com

电话：0511-87383711

艾锐克智能装备（江苏）有限公司

AREKE

艾锐克起重 AREKE CRANES

说明 Instructions:

1. 端梁 End carriage:

采用欧式端梁结构，严要求，高质量。车轮组为系列化成熟产品，采用中心轴花键传动，结构紧凑，安装维修方便。

Beam structure of European style, with strict requirements and high quality. Wheels of the mature series product, by using the central axis of spline drive, compact structure, easy installation and maintenance.

采用F级绝缘变频电机，质量可靠，样式新颖且小巧靓丽。体积小重量轻，噪声小效率高，安装简便行走平稳，刹车灵敏安全可靠(停车或断电能在1秒钟左右自动刹车)，并可变频调速，它代表了本世纪世界技术发展的趋势。

The use of frequency F and insulated motor, reliable quality, innovative style and compact beautiful. Small size, light weight, low noise, high efficiency, easy installation running smoothly, sensitive and reliable braking (stopping or off in about 1 second automatic braking), and frequency control, which represents the world in this century the trend of technological development.

采用F级绝缘变频电机，质量可靠，样式新颖且小巧靓丽。体积小重量轻，噪声小效率高，安装简便行走平稳，刹车灵敏安全可靠(停车或断电能在1秒钟左右自动刹车)，并可变频调速，它代表了本世纪世界技术发展的趋势。

2. 主梁 Main girder:

焊接箱形，拱度符合国家标准

Welding box girder, DIN/FEM standard deflection

腹板由数控切割整幅下料，确保拱度曲线的光滑成型和精度

Whole length CNC cutting for complete web plate, high deflection accuracy

主焊缝采用埋弧自动焊、无损探伤

High quality automatic welding and NDT inspection

焊后整梁抛丸处理，达到Sa2.5级，消除焊接应力

Shot-blasting Sa2.5 for complete girder after welding, stress release

环氧富锌漆，两底两面，140 μ厚，寿命长，外表美观，光泽好

Epoxy zinc rich high quality painting, 2x2 with 140 μ m

3. 葫芦 Hoist:

领先的技术设计保证了产品优化的极限尺寸，在保证性能高效下结构紧凑，为在同样的厂房和工作区域内，应用KF钢丝绳电动葫芦能够覆盖更大的范围，减少盲区。如果在厂房设计阶段就使用KF的产品系列参数进行设计，可以大大降低对厂房高度的要求，为客户节省投资、增效降本。

Advanced technology design guarantees the limit size of product optimization. That is to say, the structure is compact but still offers excellent performance. In the same factory building and work environment, by applying KF steel wire electric hoist, we can cover a greater area and reduce the blind area. If the parameters of KF can be used during the factory design stage, we don't need to build a high factory, thus saving investment, increasing profit and lowering cost for the customers.

高品质的起升驱动确保运行的安全平稳和高效，紧凑的结构设计确保吊钩的偏移尺寸最小，起升提供双速(变频可选)、小车均为变频的标准配置，确保了起重设备的高效运行、车间物流效率的提升，确保客户的各项工作计划如期执行。

High-quality hoist drive guarantees safe, stable and highly-efficient operation, compact structure design minimizes lift-hook deflection, dual speed for hoisting (frequency conversion optional), and all crane trolleys are standard frequency conversion configuration which guarantees highly-efficient operation of cranes and improvement of logistics efficiency in the workshop, and assures that everything asked for by the customers can be carried out as scheduled.

昆峰起重的专有技术有多种保护功能，装置确保起重机运行安全和可靠，其运行监控单元可以对电动葫芦运行情况、电机运行状态和安全工作周期的计算等进行详细的记录，并提供警告。所有的记录可以为维修提供数据，了解问题的根源，让起重机的维护保养计划更及时和合理。

Kfcranes' know-how provides various protection functions, assuring safe and reliable operation of the crane. The operation monitoring unit can make a detailed record of the operation of electric hoist, operating status of motor and calculations of safe work cycle, as well as give warnings. All the records can be used for maintenance and solving the problems, which will make maintenance and service plan of the crane more timely and reasonable.

配置缺相保护功能
Phase control guard opens the main contactor in case of phase failure

采用起重机专用的防振接触器
Contactors meet crane applications, rated for severe vibration.

电控箱防腐蚀，防护等级达到IP55

The control panels are finished to withstand corrosion, Ip55

控制箱内布局合理，便于维修

The components are positioned in a maintenance friendly way, and the whole layout provides good protection against accidental contact.

小车移动供电系统由扁电缆、镀锌滑轨和电缆小滑车，滑动平稳

Festoon cables are suspended on cable saddles, fixed to cable trolleys, running in a galvanised C-track, which is connected to the main girder with bolted or welded support brackets.

4. 电气 Electric:

配置缺相保护功能

Phase control guard opens the main contactor in case of phase failure

采用起重机专用的防振接触器

Contactors meet crane applications, rated for severe vibration.

电控箱防腐蚀，防护等级达到IP55

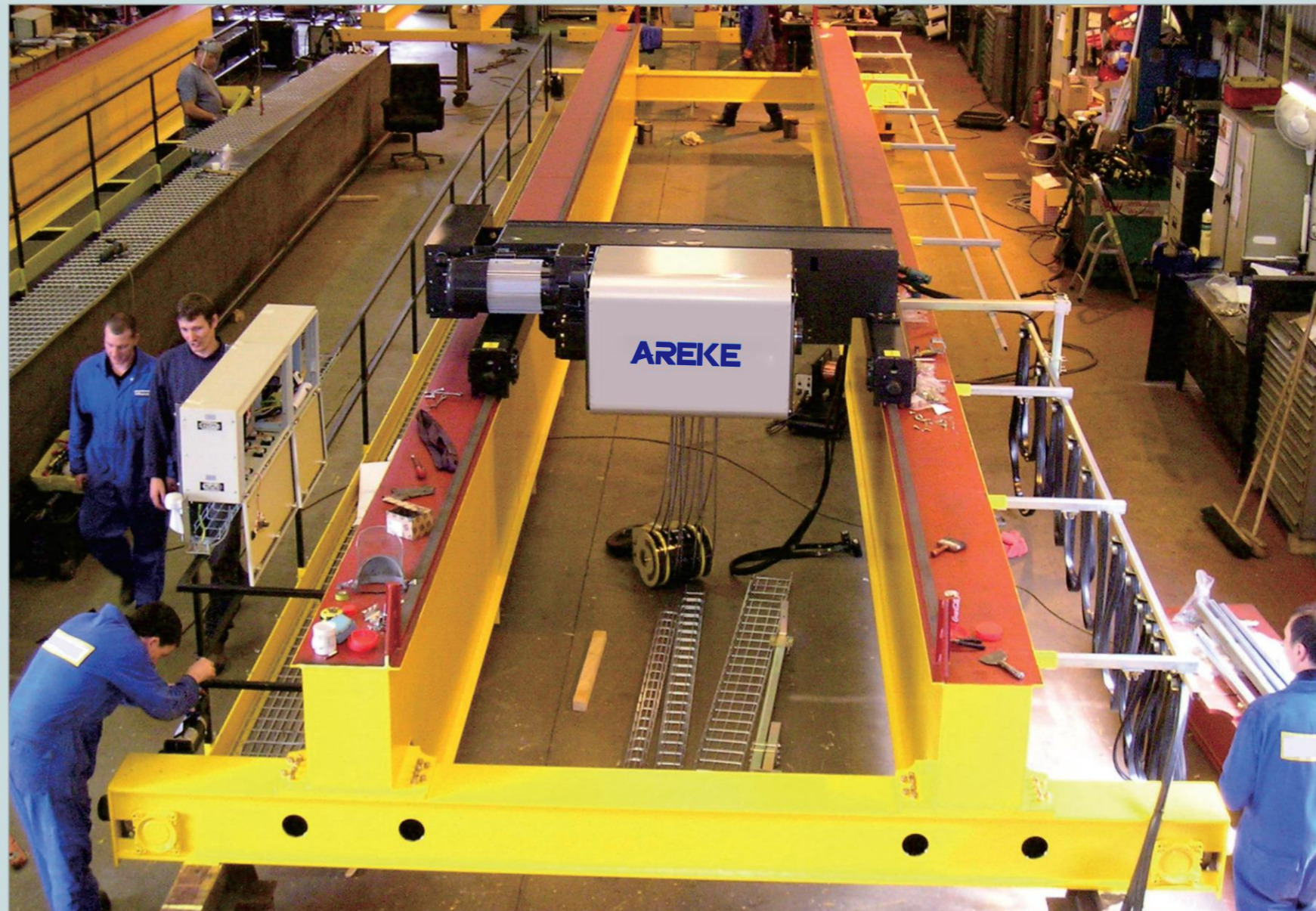
The control panels are finished to withstand corrosion, Ip55

控制箱内布局合理，便于维修

The components are positioned in a maintenance friendly way, and the whole layout provides good protection against accidental contact.

小车移动供电系统由扁电缆、镀锌滑轨和电缆小滑车，滑动平稳

Festoon cables are suspended on cable saddles, fixed to cable trolleys, running in a galvanised C-track, which is connected to the main girder with bolted or welded support brackets.



端梁
End Carriage



端梁
End Carriage



主梁
Main Girder



葫芦
Hoist



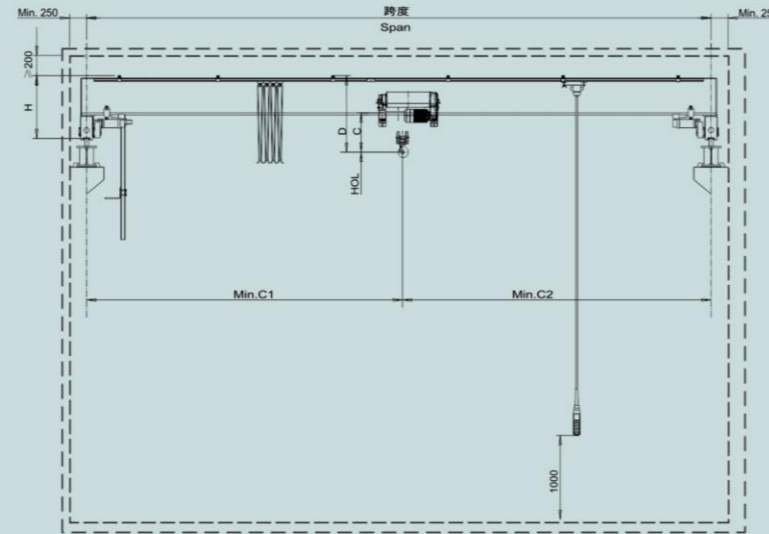
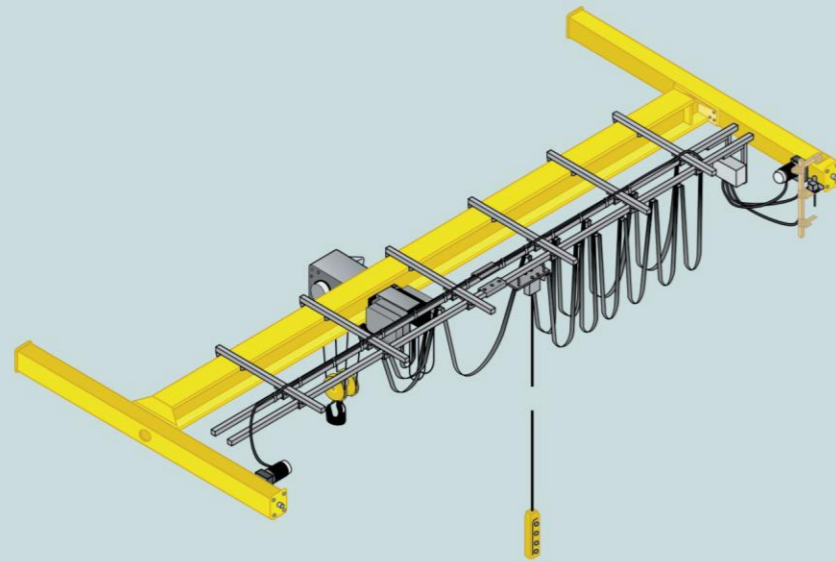
葫芦
Hoist



电气
Electric

欧式电动单梁起重机

Single Girder Crane



说明 Instructions:

欧式优化设计, 自重轻, 轮压小, 尺寸小
 Optimized designing, DIN/FEM standard, smaller wheel load, space saving

单主梁, 焊接箱形, 拱度符合国家标准
 Psingle welding box girder, DIN/FEM standard deflection

焊后整梁抛丸处理, 达到Sa2.5级, 消除焊接应力
 Pshot-blasting Sa2.5 for complete girder after welding, stress release

环氧富锌漆, 两底两面, 140 μ 厚, 寿命长, 外表美观, 光泽好
 Epoxy zinc rich high quality painting, 2x2 with 140 μ m

主梁与端梁采用10.9级高强度螺栓连接, 确保整机结构强度和精度
 10.9 class High tension bolts mouting between girder and legs.

life time safety connection

大小车采用三合一驱动机构, 变频无级调速, 硬齿面, 盘式制动器
 Compacted gearmotor driving, stepless control, hardern gear, safety disk brake

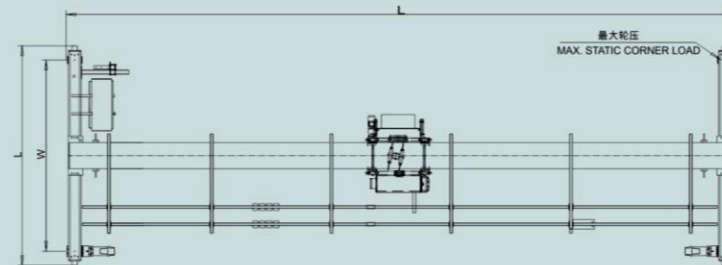
大车驱动IP55, F级绝缘, 接电持续率达到40% ED
 High proection class IP55, F class, 40% ED

最先进的起升机构, 免维护性好 (详见钢丝绳葫芦)
 First class lifting units, maintenance free

大车、小车三合一电机防坠保护, 防止意外坠落
 Gear motor locker rope to protect drop

多种模式满足所有用户的各种使用
 Flexible solution for all lifting needs

优秀的驱动性能, 变频调速, 运行平稳
 Excellent driving properties, stepless control, smoothly moving



注意 Note:

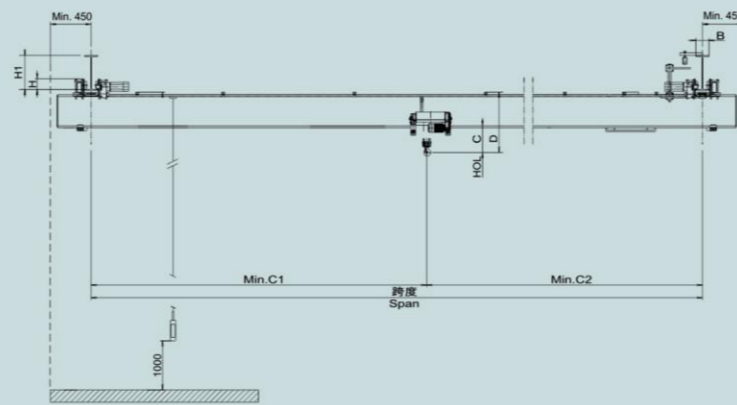
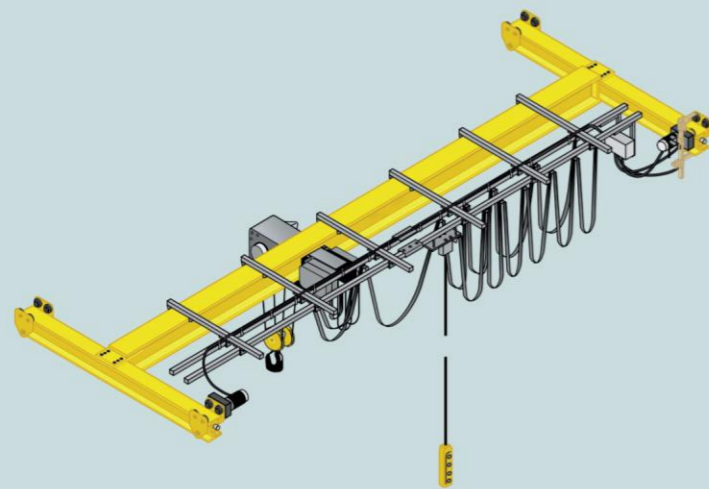
1、本起重机大车标准速度为5-25m/min(变频控制), 小车标准速度为5-20m/min(变频控制).
 This crane travelling standard speed for 5-25 m/min (frequency conversion control), the trolley standard speed is 5-20 m/min (frequency conversion control).

2、控制方式: 手电门、遥控器、手电门+遥控器、驾驶室, 可选。
 Control mode: button switch, remote control, button switch + remote control, cabin, optional.

3、技术参数表仅供参考, 具体事宜及特殊要求请联系我公司。
 Technical parameter table is for reference only, specific and special requirements please contact us.

起重量 SWL	跨度 Span	起升高度 Lifting	工作级别 FEM	起升速度 Lifting speed	主要尺寸 Main size								最大轮压 Press.Max	小车重量 Trolley weight	整机重量 Crane weight	整机功率 Crane power	大车轨道 Rail	
					W	L	C	C1	C2	H.max	H.min	D						
t	m	m		m/min	mm	mm	mm	mm	mm	mm	mm	mm	mm	kN	kG	kG	kW	kG
2	10.5	9	A5 2M	5/0.8	1800	2076	385	665	940	650	335	871	16.0	400.0	1590	4.1	18	
	13.5				1800	2076				730	335	951	17.5		2040	4.1	18	
	16.5				2200	2496				883	370	1071	20.4		3190	4.1	18	
	19.5				2700	2996				1015	390	1203	22.7		4100	4.4	18	
	22.5				3100	3426				1238	510	1323	25.1		5060	4.4	18	
	25.5				3800	4216				1410	585	1443	28.3		6340	4.4	22	
	28.5				4500	4976				1516	690	1443	31.4		7590	4.4	22	
	31.5				5000	5510				1766	770	1693	37.3		9940	4.4	22	
3.2	10.5	9	A5 2M	5/0.8	1800	2096	385	665	940	685	370	871	22.0	400.0	1720	4.4	22	
	13.5				1800	2096				767	370	953	23.7		2250	4.4	22	
	16.5				2200	2496				887	370	1073	26.2		3200	4.4	22	
	19.5				2700	3026				1122	495	1205	27.7		3790	4.7	22	
	22.5				3100	3456				1240	510	1323	31.4		5210	4.7	22	
	25.5				3800	4216				1294	570	1323	34.2		6370	4.7	38	
	28.5				4500	5010				1520	690	1445	39.8		8650	4.7	38	
	31.5				5000	5510				1768	770	1693	43.8		10190	4.7	38	
5	10.5	9	A5 2M	5/0.8	1800	2096	495	665	940	768	346	1073	31.2	500.0	1910	7.4	22	
	13.5				1800	2126				886	471	1085	34.3		2900	7.4	22	
	16.5				2200	2526				1123	471	1325	35.6		3340	7.4	22	
	19.5				2700	3056				1123	511	1325	38.8		4590	7.7	22	
	22.5				3100	3516				1295	673	1445	41.8		5790	7.7	22	
	25.5				3800	4216				1418	733	1565	45.1		7090	7.7	38	
	28.5				4500	5010				1510	815	1568	50.1		9100	7.7	38	
	31.5				5000	5510				1775	770	1803	54.9		11050	7.7	38	
6.3	10.5	9	A5 2M	5/0.8	2700	3026	495	665	940	974	479	1061	39.3	550.0	2460	7.4	22	
	13.5				2700	3086				1046	611	1181	42.2		3480	7.4	22	
	16.5				2700	3116				1178	653	1313	45.2		4420	7.4	22	
	19.5				2700	3116				1298	703	1433	47.8		5290	7.7	22	
	22.5				3100	3516				1418	763	1553	50.5		6280	7.7	22	
	25.5				3800	4250				1518	815	1653	53.7		7560	7.7	38	
	28.5				4500	5010				1610	905	1653	58.9		9610	7.7	38	
	10				10.5	9				A5 2M	5/0.8	2700	3086		790	700	1020	1184
13.5		2700	3116	1184	584		1608	60.0	3910			11.4	38					
16.5		2700	3116	1523	593		1948	64.3	5300			11.4	38					
19.5		2700	3116	1526	608		1948	67.2	6230			11.4	38					
22.5		3100	3550	1526	614		1948	69.7	7120			11.8	38					
25.5		3800	4310	1535	593		1952	74.3	8940			11.8	43					
28.5		4500	5010	1782	740		2098	83.4	10730			12.5	43					
12.5		10.5	9	A5 2M	5/0.8		1800	2186	790			700	1020	1056				616
	13.5	1800				2216	1306	636		1730	72.7			3940	11.4	38		
	16.5	2200				2616	1519	636		1948	75.8			4850	11.4	38		
	19.5	2700				3150	1528	636		1948	79.9			6260	11.8	38		
	22.5	3100				3650	1534	664		1956	84.4			7820	11.8	38		
	25.5	3800				4350	1684	694		2102	93.8			9790	12.5	43		
	28.5	4500				5050	1788	808		2106	100.7			12640	12.5	43		

欧式电动单梁悬挂起重机 Under Running Crane



说明 Instructions:

欧式优化设计, 自重轻, 轮压小, 尺寸小
Optimized designing, DIN/FEM standard, smaller wheel load, space saving

单主梁, 焊接箱形, 拱度符合国家标准
Psingle welding box girder, DIN/FEM standard deflection

焊后整梁抛丸处理, 达到Sa2.5级, 消除焊接应力
Pshot-blasting Sa2.5 for complete girder after welding, stress release

环氧富锌漆, 两底两面, 140 μ 厚, 寿命长, 外表美观, 光泽好
Epoxy zinc rich high quality painting, 2x2 with 140 μ m

主梁与端梁采用10.9级高强度螺栓连接, 确保整机结构强度和精度
10.9 class High tension bolts mouting between girder and legs, life time safety connection

大小车采用三合一驱动机构, 变频无级调速, 硬齿面, 盘式制动器
Compacted gearmotor driving, stepless control, hardern gear, safety disk brake

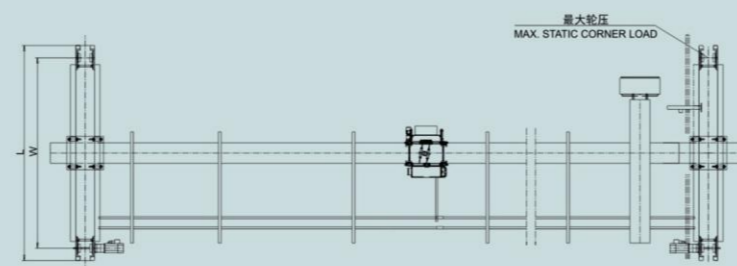
大车驱动IP55, F级绝缘, 接电持续率达到40% ED
High proection class IP55, F class, 40% ED

最先进的起升机构, 免维护性好 (详见钢丝绳葫芦)
First class lifting units, maintenance free

大车、小车三合一电机防坠保护, 防止意外坠落
Gear motor locker rope to protect drop

多种模式满足所有用户的各种使用
Flexible solution for all lifting needs

优秀的驱动性能, 变频调速, 运行平稳
Excellent driving properties, stepless control, smoothly moving



注意 Note:

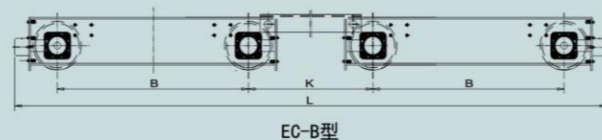
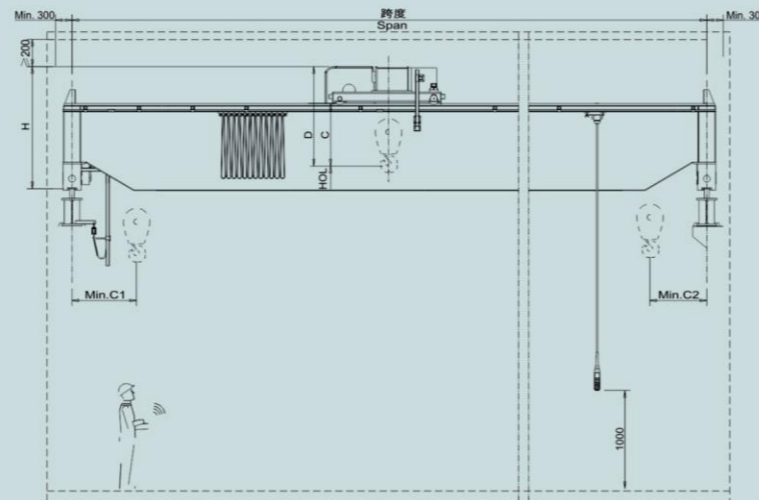
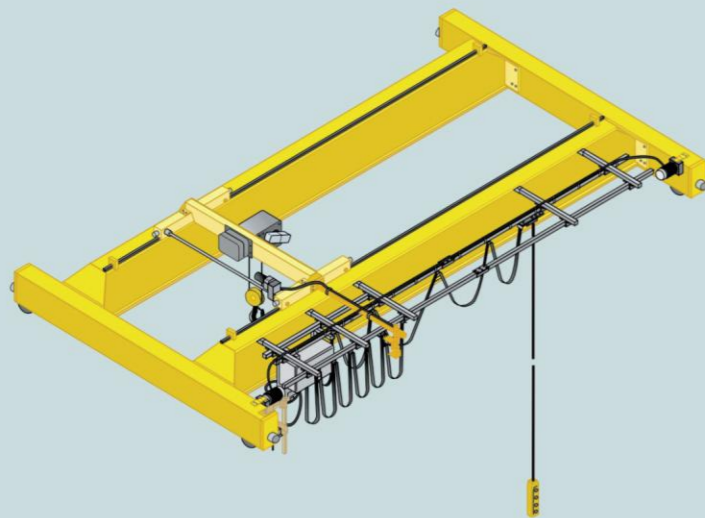
1、本起重机大车标准速度为5-25m/min(变频控制), 小车标准速度为5-20m/min(变频控制).
This crane travelling standard speed for 5-25 m/min (frequency conversion control), the trolley standard speed is 5-20 m/min (frequency conversion control).

2、控制方式: 手电门、遥控器、手电门+遥控器、驾驶室, 可选。
Control mode: button switch, remote control, button switch + remote control, cabin, optional.

3、技术参数表仅供参考, 具体事宜及特殊要求请联系我公司。
Technical parameter table is for reference only, specific and special requirements please contact us.

起重量 SWL	跨度 Span	起升高度 Lifting height	工作级别 FEM	起升速度 Lifting speed	主要尺寸 Main size								最大轮压 Press.Max	整机重量 Crane weight	整机功率 Crane power	
					W	L	C	C1	C2	B	H	H1				D
t	m	m		m/min	mm	mm	mm	mm	mm	mm	mm	mm	mm	kN	kG	kW
2	6	9	A5 2M	5/0.8	1700	2030	385	50	20	90-300	132	232	1105	14.1	1020	4.30
	9				1700	2030					132	232	1105	15.1	1330	4.30
	12				1700	2030					132	232	1105	16.5	1770	4.30
	15				2200	2550					163	263	1335	18.9	2760	4.30
	18				2200	2550					163	263	1367	20.7	3450	4.30
	20				2500	3100					140	240	1674	21.4	3690	4.30
3.2	6	9	A5 2M	5/0.8	1700	2030	385	50	20	90-300	163	263	1040	20.7	1290	4.30
	9				1700	2030					163	263	1040	21.9	1630	4.30
	12				1700	2030					163	263	1119	23.4	2140	4.30
	15				2200	2550					163	263	1372	25.8	3110	4.30
	18				2200	2550					186	286	1394	27.1	3610	4.30
	20				2500	3100					186	263	1623	28.4	4130	4.30
5	6	9	A5 2M	5/0.8	2200	2550	495	180	170	90-300	186	286	1062	30.0	1510	7.75
	9				2200	2550					186	286	1253	31.7	2000	7.75
	12				2200	2550					186	286	1257	33.4	2530	7.75
	15				2200	2550					186	286	1506	35.7	3360	7.75
	18				2200	2550					186	286	1735	38.9	4640	7.75
	20				2500	3430					186	286	1735	40.1	5100	7.75
6.3	6	9	A5 2M	5/0.8	2200	2710					252	352	1301	38.6	2320	12.00
	9				2200	2710					252	352	1301	40.6	2800	12.00
	12				2200	2710					252	352	1420	43.3	3660	12.00
	15				2200	2830					252	352	1554	45.9	4540	12.00
	18				2200	2830					252	352	1554	48.1	5320	12.00
	20				2500	2830					252	352	1674	50.0	6000	12.00
10	6	9	A5 2M	5/0.8	2800	3430	790	400	320	90-300	252	352	1717	56.3	2510	12.00
	9				2800	3430					252	352	1717	59.2	3250	12.00
	12				2800	3460					252	352	1717	61.7	3970	12.00
	15				2800	3460					252	352	1849	64.6	4920	12.00
	18				2800	3460					252	352	2440	65.9	5270	12.00

欧式电动葫芦桥式起重机 Double Girder Crane



说明 Instructions:

欧式优化设计, 自重轻, 轮压小, 尺寸小
Optimized designing, DIN/FEM standard, smaller wheel load, space saving

双主梁, 焊接箱形, 拱度符合国家标准
Double welding box girder, DIN/FEM standard deflection

焊后整梁抛丸处理, 达到Sa2.5级, 消除焊接应力
PShot-blasting Sa2.5 for complete girder after welding, stress release

小车轨道采用16Mn高强度热轧扁钢
Trolley rail is high strength flat steel bar (hot rolled, 16Mn)

环氧富锌漆, 两底两面, 140μ厚, 寿命长, 外表美观, 光泽好
Epoxy zinc rich high quality painting, 2x2 with 140μm

主梁与端梁采用10.9级高强度螺栓连接, 确保整机结构强度和精度
10.9 class High tension bolts mouting between girder and legs, life time safety connection

大小车采用三合一驱动机构, 变频无级调速, 硬齿面, 盘式制动器
Compacted gearmotor driving, stepless control, hardern gear, safety disc brake

大车驱动IP55, F级绝缘, 接电持续率达到40% ED
High proection class IP55, F class, 40% ED

最先进的起升机构, 免维护性好 (详见钢丝绳葫芦)
First class lifting units, maintenance free

大车、小车三合一电机防坠保护, 防止意外坠落
Gear motor locker rope to protect drop

多种模式满足所有用户的各种使用
Flexible solution for all lifting needs

优秀的驱动性能, 变频调速, 运行平稳
Excellent driving properties, stepless control, smoothly moving

注意 Note:

1、本起重机大车标准速度为5-25m/min(变频控制), 小车标准速度为5-20m/min(变频控制)。This crane travelling standard speed for 5-25 m/min (frequency conversion control), the trolley standard speed is 5-20 m/min (frequency conversion control).

2、控制方式: 手电门、遥控器、手电门+遥控器、驾驶室, 可选。Control mode: button switch, remote control, button switch + remote control, cabin, optional.

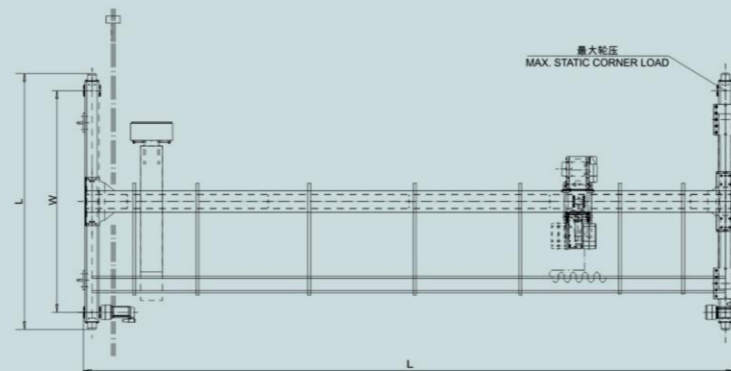
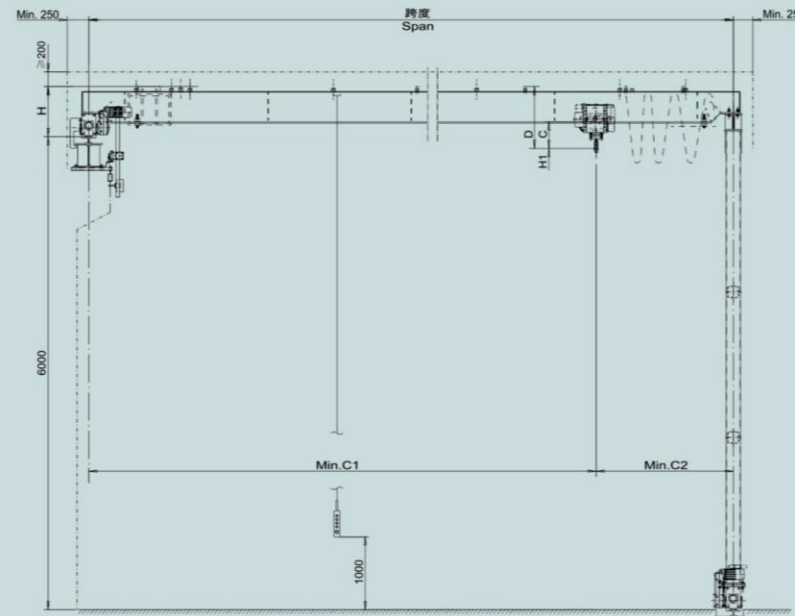
3、技术参数表仅供参考, 具体事宜及特殊要求请联系我公司。Technical parameter table is for reference only, specific and special requirements please contact us.

技术参数表

Technical Parameter Table

起重量 SWL	跨度 Span	起升高度 Lifting height	工作级别 FEM	起升速度 Lifting speed	主要尺寸 Main size								最大轮压 Press.Max	小车重量 Trolley	整机重量 Crane weight	整机功率 Crane power	大车轨道 Rail		
					W	L	B	K	C	D	C1	C2						H	
t	m	m		m/min	mm	mm	mm	mm	mm	mm	mm	mm	mm	mm	kN	kG	kG	kW	kG
5	13.5	9	A5 2M	5/0.8	2200	2556	/	/	350	780	850	1100	979	41.4	670.0	4750	7.3	22	
	16.5				2700	3116	/	/					979	46.5		6720	7.3	22	
	19.5				3100	3550	/	/					979	51.9		8840	7.6	22	
	22.5				3800	4250	/	/					979	56.4		10670	7.6	22	
	25.5				3800	4250	/	/					979	61.4		12520	7.6	22	
	28.5				4500	5010	/	/					1229	67.9		15220	8	38	
10	13.5	9	A5 2M	5/0.8	2700	3176	/	/	360	900	850	1100	1640	69.6	920.0	6070	11.4	22	
	16.5				2700	3210	/	/					1640	74.4		7600	11.8	22	
	19.5				3100	3610	/	/					1220	78.9		9400	12.5	22	
	22.5				3800	4384	/	/					1220	84.3		11670	12.5	22	
	25.5				3800	4310	/	/					1215	89.9		13740	12.5	38	
	28.5				4435	4925	1400	1635					1292	50.7		16310	13.3	38	
31.5	4922	5472	1400	2122	1792	59.1	20840	13.3	43										
15	13.5	9	A5 2M	4/0.66	3800	4384	/	/	480	1120	1000	1100	1625	100.0	1380.0	7320	19.3	22	
	16.5				3800	4384	/	/					1625	105.9		8960	19.3	22	
	19.5				3800	4384	/	/					1625	111.1		10750	19.3	22	
	22.5				4527	4527	1200	2127					1375	59.8		12420	20.1	22	
	25.5				4549	4549	1200	2149					1375	63.0		14710	20.1	38	
	28.5				4573	4573	1200	2173					1375	68.1		18570	20.1	38	
31.5	5245	5245	1800	1645	1692	74.0	22640	20.1	43										
20	13.5	9	A5 2M	3.4/0.53	3800	4384	/	/	480	1120	1460	1330	1625	128.2	2200.0	9190	19.3	43	
	16.5				3800	4384	/	/					1625	134.1		10840	19.3	43	
	19.5				3800	4384	/	/					1625	139.5		12490	19.3	43	
	22.5				3793	4243	1200	1393					1525	72.8		13090	20.1	43	
	25.5				3815	4265	1200	1415					1525	76.3		15890	20.1	43	
	28.5				4438	4988	1800	838					1525	84.1		21040	20.1	43	
31.5	5000	5550	1600	1800	1825	87.6	23500	20.1	70										
25	13.5	9	A5 2M	3.3/0.8	2700	3284	/	/	620	1410	1460	1330	1775	147.8	2600.0	7790	25.2	43	
	16.5				3100	3874	/	/					1775	156.0		10560	25.2	43	
	19.5				3100	3874	/	/					1775	163.9		13060	25.2	43	
	22.5				3770	4220	1200	1370					1575	74.5		14220	26.6	43	
	25.5				3988	4538	1400	1188					1575	78.9		17380	26.6	43	
	28.5				4510	5060	1600	1310					1575	98.6		22310	26.6	43	
31.5	5167	5827	1800	1567	2075	113.0	25270	26.6	70										
32	13.5	9	A5 2M	3.3/0.8	3477	3987	1400	677	620	1410	1480	1520	2075	95.1	2900.0	8700	26.6	43	
	16.5				3492	4002	1400	692					2075	98.8		10670	26.6	43	
	19.5				3524	4034	1400	724					2075	103.3		13640	26.6	43	
	22.5				3543	4093	1400	743					2075	107.7		16570	26.6	43	
	25.5				3959	4509	1400	1159					2075	111.5		19290	26.6	43	
	28.5				4533	5193	1600	1333					2175	121.6		28150	26.6	70	
31.5	5180	5840	1800	1580	2175	124.0	28500	26.6	70										
40	13.5	9	A5 2M	0-4.1	3800	4574	/	/	980	1880	1480	1520	2180	231.2	3500.0	11680	45.4	43	
	16.5				3800	4574	/	/					2180	231.2		14220	45.4	43	
	19.5				3800	4614	/	/					2180	250.1		17210	45.4	43	
	22.5				3569	4193	1400	769					2180	136.5		19550	47	43	
	25.5				3600	4280	1300	1000					2180	138.0		25790	47	43	
	28.5				4622	5282	2000	622					2280	144.3		26730	47	80	
31.5	5307	6217	2000	1307	2280	152.3	32820	47	80										
50	13.5	9	A5 2M	0-3.2	3569	4153	1400	769	980	1880	1560	1260	2105	150.0	4000.0	11450	47	43	
	16.5				3569	4153	1400	769					2105	153.9		14500	47	43	
	19.5				3898	4522	1400	1098					2105	151.6		17770	47	43	
	22.5				3878	4558	1300	1278					2105	167.9		22490	47	43	
	25.5				4354	5176	1600	1154					2105	183.6		25220	47	43	
	28.5				4578	5610	1600	1478					2205	189.3		29920	47	80	
31.5	4887	5797	1600	1687	2205	198.0	34980	47	80										

欧式电动葫芦半门式起重机 Semi Gantry Crane



起重量 SWL	跨度 Span	轨顶标高 Rail height	工作级别 FEM	起升速度 Lifting speed	主要尺寸 Main size								最大轮压 Press.Max	小车重量 Trolley weight	整机重量 Crane weight	整机功率 Crane power	大车轨道 Rail
					W	L	C	C1	C2	H	H1	D					
t	m	m		m/min	mm	mm	mm	mm	mm	mm	mm	mm	kN	kG	kG	kW	kG
2	7.5	6	A5 2M	5/0.8	3100	3426	385	665	940	704	5810	841	18.7	400.0	2410	4.1	18
	9.5									704	841	19.2					
	11.5									774	843	19.7					
	13.5									774	921	20.6					
	15.5									814	1041	21.8					
	17									814	1041	22.4					
3.2	7.5	6	A5 2M	5/0.8	3100	3456	385	665	940	754	5790	841	24.6	400.0	2610	4.4	22
	9.5									754	841	25.1					
	11.5									804	843	25.7					
	13.5									804	921	26.5					
	15.5									904	1041	28.0					
	17									904	1041	28.6					
5	7.5	6	A5 2M	5/0.8	3100	3516	495	665	940	788	5740	951	36.0	500.0	3010	7.4	22
	9.5									788	953	36.6					
	11.5									908	1033	37.3					
	13.5									908	1041	38.6					
	15.5									978	1153	39.7					
	17									978	1153	40.5					
10	7.5	6	A5 2M	5/0.8	3100	3550	790	700	1020	908	5590	1326	65.8	650.0	4210	11.4	38
	9.5									908	1446	66.6					
	11.5									1008	1448	67.4					
	13.5									1008	1578	69.0					
	15.5									1208	1698	74.1					
	17									1208	1700	75.1					
12.5	7.5	6	A5 2M	5/0.8	3100	3650	790	700	1020	908	5540	1328	83.0	750.0	5410	11.4	38
	9.5									908	1330	84.0					
	11.5									1008	1450	85.0					
	13.5									1008	1578	87.0					
	15.5									1208	1582	91.0					
	17									1208	1700	92.5					

说明 Instructions:

欧式优化设计, 自重轻, 轮压小, 尺寸小
Optimized designing, DIN/FEM standard, smaller wheel load, space saving

单主梁, 焊接箱形, 拱度符合国家标准
Psingle welding box girder, DIN/FEM standard deflection

焊后整梁抛丸处理, 达到Sa2.5级, 消除焊接应力
PShot-blast Sa2.5 for complete girder after welding, stress release

环氧富锌漆, 两底两面, 140 μ 厚, 寿命长, 外表美观, 光泽好
Epoxy zinc rich high quality painting, 2x2 with 140 μ m

主梁与端梁采用10.9级高强度螺栓连接, 确保整机结构强度和精度
10.9 class High tension bolts mouting between girder and legs, life time safety connection

龙门吊专用立式三合一驱动机构, 更安全, 更节省空间\Vertical gear motor driving, more safety and smaller space

大车驱动IP55, F级绝缘, 接电持续率达到40% ED
High proection class IP55, F class, 40% ED

最先进的起升机构, 免维护性好 (详见钢丝绳葫芦)
First class lifting units, maintenance free

大车、小车三合一电机防坠保护, 防止意外坠落
Gear motor locker rope to protect drop

多种模式满足所有用户的各种使用
Flexible solution for all lifting needs

优秀的驱动性能, 变频调速, 运行平稳
Excellent driving properties, stepless control, smoothly moving

注意 Note:

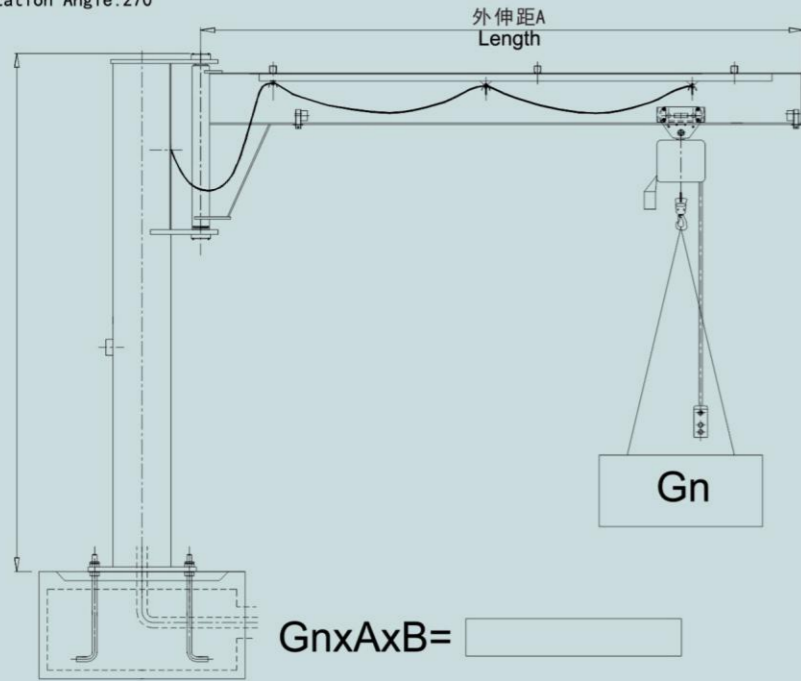
1、本起重机大车标准速度为5-25m/min(变频控制), 小车标准速度为5-20m/min(变频控制).
This crane travelling standard speed for 5-25 m/min (frequency conversion control), the trolley standard speed is 5-20 m/min (frequency conversion control).

2、控制方式: 手电门、遥控器、手电门+遥控器、驾驶室, 可选。
Control mode: button switch, remote control, button switch + remote control, cabin, optional.

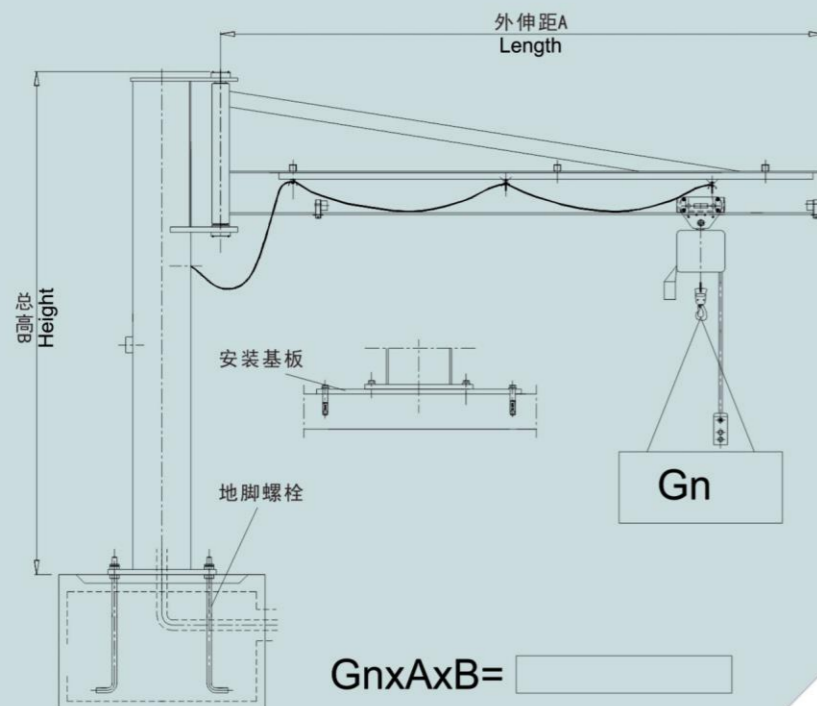
3、技术参数表仅供参考, 具体事宜及特殊要求请联系我公司。
Technical parameter table is for reference only, specific and special requirements please contact us.

欧式旋臂起重机
Jib Crane

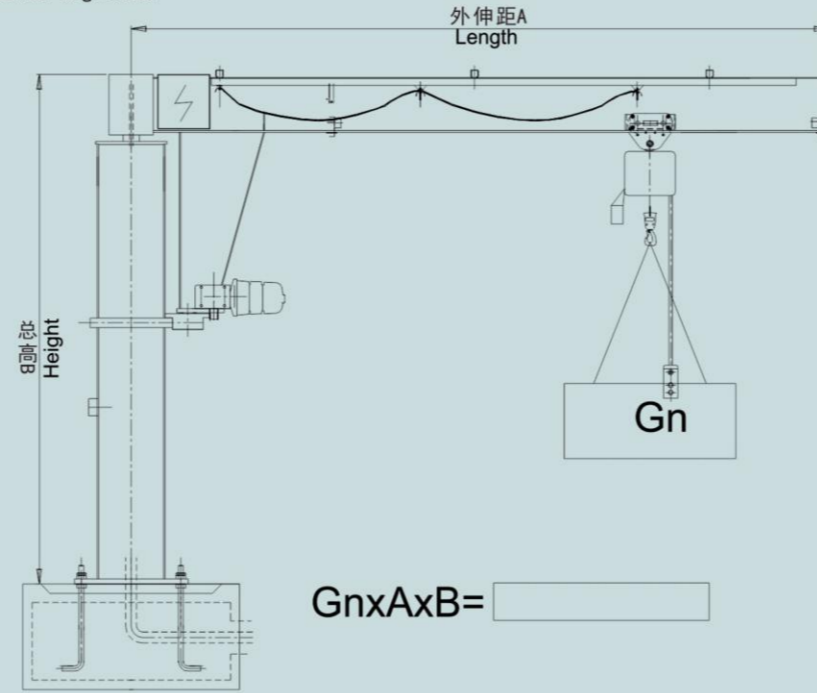
旋转角度: 270°
Rotation Angle: 270°



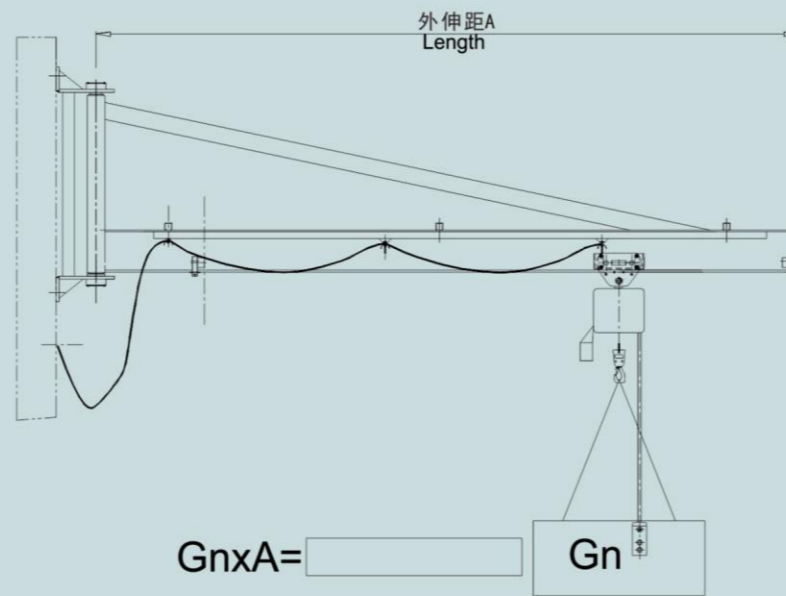
旋转角度: 270°
Rotation Angle: 270°



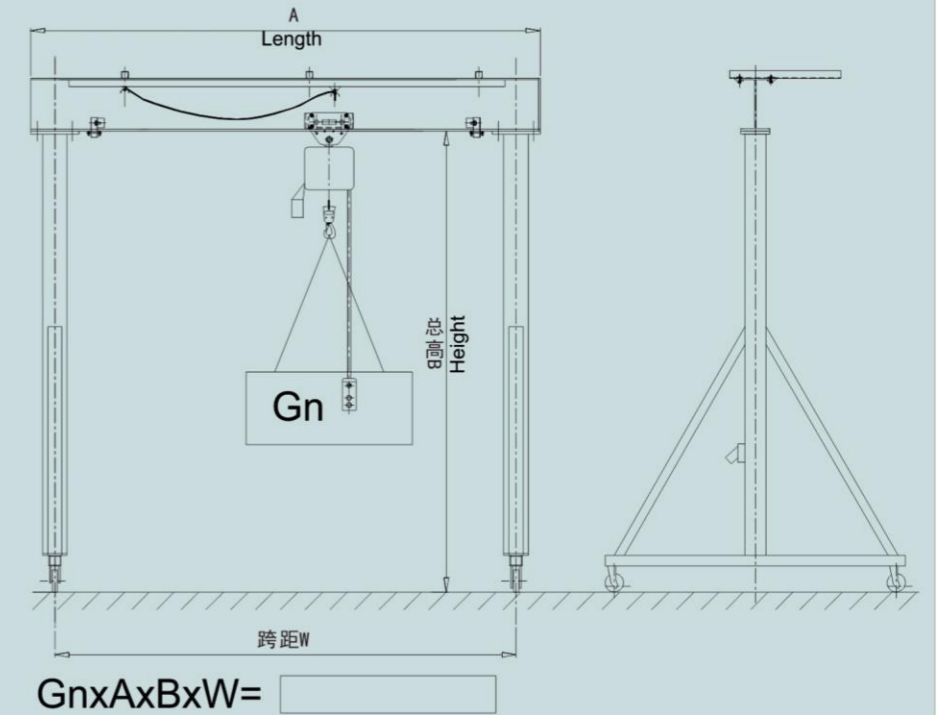
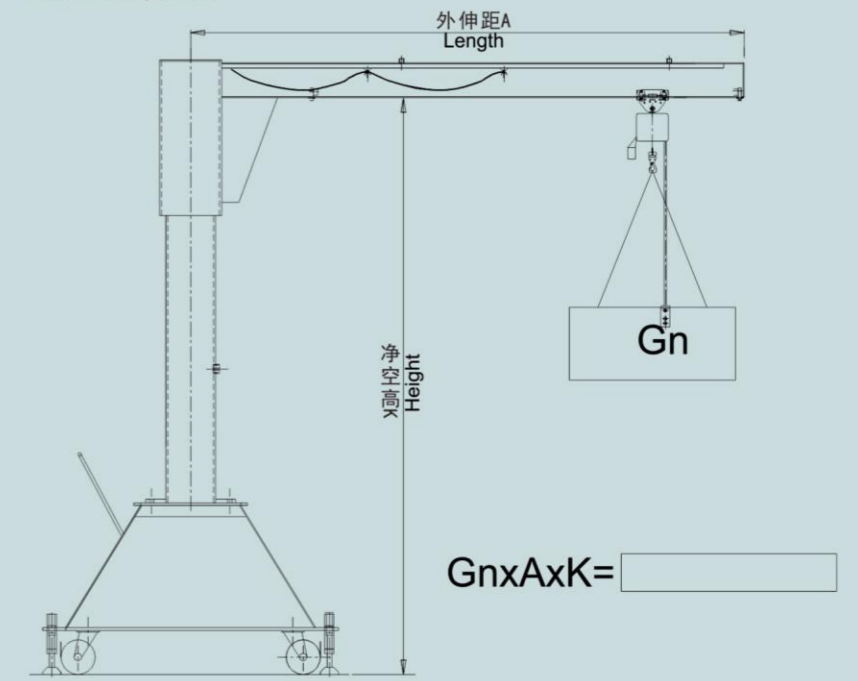
旋转角度: 360° -∞
Rotation Angle: 360° -∞



旋转角度: 180°
Rotation Angle: 180°



旋转角度: 360°
Rotation Angle: 360°



欧式开放小车 Open Winch

小车架结构 Trolley frame structure

小车架结构在设计时进行了计算机疲劳分析，在制造时采用高精度的铣床进行整体加工，并且在安装过程中做了释放内应力的处理。
A robust, precision-machined trolley frame meets the most stringent quality standards. Fatigue analysis of the structure has led to a unique design of the machinery support arrangement that eliminates internal stresses.

超载限制器 Load sensor

超载限制器直接测量承重梁为安全系统提供了可靠的数据和维护监控。
Direct measuring from the load beam provides reliable data for safety systems and maintenance monitoring.

行走机构 Traversing machineries

空心轴减速机直接安装在车轮传动轴上。电机与减速机采用法兰安装，减速机用减震型扭力臂固定在小车结构上。
A hollow shaft gearbox is mounted directly onto the trolley drive axle. A flexible shock absorbing torque arm supports the primary end of the gearbox. A wide range of flange mounted motor types is available.

齿轮联轴器 Geared coupling

起升减速机与卷筒采用一个灵活的两级齿轮联轴器连接。该联轴器可以自动微调角度实现卷筒的运转，从而杜绝常见的疲劳失效。
The hoist gearbox is connected to the drum by a flexible two-stage geared coupling. The coupling type allows dynamic bending and movement of the drum, without the common fatigue failures.

减速机齿轮 Hoisting gears

斜齿轮传动，齿面采用渗碳处理并硬化到HRC60，符合DIN (AGMA11) 标准，并采用高质量的润滑油润滑。大吨位的SM1000-SM1200系列会减少最后一级行星齿轮。
Gears are helical, carburized and hardened to 60 HRC, precision-ground to DIN 6 (AGMA 11) quality, and are oil bath lubricated. Very large capacity SM 1000-1200 Winches have a planetary final reduction step.

电机 Motors

起重机的电机均为起重机专用电机。电动葫芦的电机采用变频器控制，功率为15kW-132kW。欧式开放小车采用模块化设计，允许一个或两个电机驱动起升机构。另外还可以使用独立的微型调速机 (100%ED)。所有电机均符合IEC标准，F级绝缘，法兰安装，防护等级根据现场要求可选用IP54或IP55。
electric crane motors are specially designed for heavy duty hoisting applications. The hoist motor sizes for Hoist frequency controls range from 15 kW to 132kW. The modular construction of Open Winches allows either one or two main hoist motors to be combined on the same machine. Alternatively, separate micro-speed machinery (100% ED) is available. All motors are IEC standard flange mounted, with class F insulation. The protection class may be either IP54 or IP55 depending on the site requirements.

绕绳方式 Rope reeving

因额定载荷的不同我们采用2根到16根钢丝绳。钢丝绳采用FEM标准。消除反向弯曲减少钢丝绳的磨损。稳定的负载达到定位的真正垂直起降。钢丝绳末端的固定可以很容易调整和更换。
Winches are reeved from 2 parts to 16 parts depending of the capacity. Ropes are selected according to FEM standards. Elimination of reverse bends minimize rope wear. Stable positioning of the load is attained with true vertical lift. Accessible rope dead ends allow the ropes to be easily adjustable and replaced.

可扩展速度范围 (ESR) Extended Speed Range (ESR)

葫芦变频器可以使用ESR功能。此功能可以通过降低负荷来提高运行的速度 (最大可以达到最大符合的20%)。
Hoist frequency controls enables the use of the ESR option. This feature allows operation at speeds up to 200% of nominal with reduced load (maximum of 20% of rated load).

卷筒轴承 Rope drum bearings

齿轮箱侧采用两个高负荷的球轴承，另一侧支架通过调心轴承支撑在卷筒法兰的末端。这种独特的设计有助于消除卷筒轴的疲劳失效。
Two high-capacity ball bearings support the drum at the gearbox end. At the opposite end, a non rotating shaft supports the drum through a self aligning roller bearing in the drum end flange. This unique arrangement eliminates drum shaft fatigue failures.

重型制动器 Heavy-duty brakes

欧式开放小车标准配置重型电磁盘式制动器，直接安全封闭安装在电机的端部。在电源发生故障关闭时通过弹簧的预紧力制动。第二制动器可根据要求选择盘式或块式制动器。
Open Winches are normally equipped with heavy duty electro-magnetic disk brakes. Brakes are connected directly to the motor shaft. Safe closure is attained by spring force, ensuring operation of the brake during power failure. A second safety disc type brake or (optionally) a shoe brake can be added if required.

副钩 Auxiliary hoist

通过提供一个特殊的小车可以增加一个副钩。副钩小车通过销轴连接到主小车上。这样保证了最佳的吊钩横向极限位置。
Adding a special tow trolley can provide an auxiliary hoist. The tow trolley is connected to the main unit by pinned connections. This arrangement ensures optimal hook approaches.

导绳器的选择 Optional rope guide

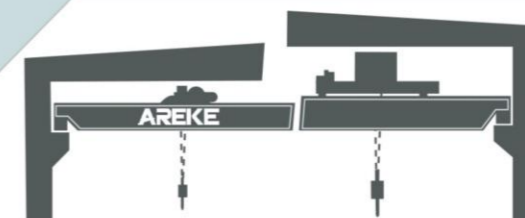
坚固的钢丝绳引导，确保钢丝绳正确的缠绕在卷筒上。上下限位由旋转限位开关进行调整。行程限位添加了旋转限位开关。
A rugged rope guide ensures proper rope winding on the drum. Upper and lower limits are adjusted with rotating limit switch. Process limits added with rotating limit switch.

小车结构 Bogie construction

小车轮的布局设计可以更好的分配车轮与承重梁的负载。在SM900-SM1200系列中采用了六轮设计，这样减轻了结构的重量，并且减少了结构疲劳、磨损少、使用寿命更长。而SM600、SM700及SM800则采用的是四轮结构。
Bogie trolley wheel construction allows better distribution of loads to wheels and cranes girders. In the SM900-1200 range, a six-wheel bogie construction results in a lighter bridge structure, less fatigue, less wear and longer life. The SM600-, SM700 and SM800 are with fourwheel construction.

高度限位器 Upper safety limit switch

高度限制器通常采用重锤式限位，吊钩的极限位置可以通过启动吊钩组进行手动设置。
An additional counterweight type emergency limit switch is a common option for process duty. The limit is actuated by the hook block and can be reset manually or (optionally) automatically.



欧式开放小车
SM SpaceMakers

传统起重小车
Crane with ordinary trolley

优点
> 小型化 (紧凑的尺寸)
> 更小的轮压
> 更小的结构
> 节省成本
> 超过10-20%的提升空间
采用最现代化的方式提升起重机的载重能力

Advantages
> Compact size
> Lower wheel loads
> Smaller building
> Cost savings
> 10-20% higher hoisting capacity in modernization of existing cranes